

Access Solar

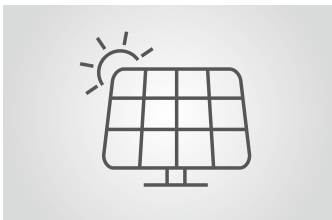
Solar-powered access barriers



For access control independent of electricity networks

Access to grounds in the mountains, an employee car park in a nature reserve, entry to a construction material disposal site outside town: there are many situations in which an automatic barrier is a tried and tested method for controlling access. Installation, however, frequently founders because there is no access to a 230 V grid or because of the financial and organisational effort required to lay a supply cable. With Access Solar barriers, however, automated access control is now also possible independent of a power supply. The solar barriers from Magnetic obtain their energy via a photovoltaic panel set up

near the barriers where they can receive the maximum amount of sun. Mechanical adjustment on the mast allows alignment of the panel on the local solar altitude. This form of energy supply is suitable for less frequented applications with up to 500 opening and closing cycles per day. The long-lived lead acid batteries are integrated in the barrier housing and offer reliable operation even in the dark or in cloudy weather. Remote control or key switches are convenient methods for operating the solar barriers.



Autonomous energy supply

The Access Pro-H Solar obtains its energy from a solar panel mounted on a mast and optimally aligned with the sun. This not only cuts electricity costs, but also enables autonomous operation far from electricity networks.



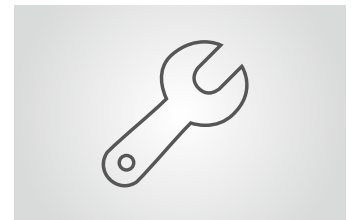
Innovative drive technology

The MHTM™ drive unit is maintenance-free, energy-efficient and quiet. The high torque guarantees best possible operation even under extreme weather conditions.



Legal security

All Magnetic barriers have a Declaration of Conformity in compliance with the Machinery Directive and a Declaration of Performance in line with the Construction Products Directive. Thus operators and those responsible for commissioning are always on the safe side in questions of liability.



Easy access to components

Two simple steps: control systems and the drive unit are easily reached by removing the cover and front plate. This increases user-friendliness and accelerates commissioning and service.

Access Solar

Solar-powered access barriers

- > Autonomous energy supply via solar panel
- > More than 500 barrier cycles per day
- > High security with optional boom skirts
- > Legal security with Declarations of Conformity and Performance
- > Acclaimed design: German Design Award 2014 and Red Dot Design Award 2012
- > Designed for 10 million opening and closing actions



Technical data	Access Pro-H Solar
Lane width	Max. 6.0 m
Opening/closing time	4.0 s
Power consumption	Max. 25 W
Drive technology	MHTM™
Voltage	24 V DC
Number of opening/closing cycles	> 500 cycles per day
Housing dimensions (W x D x H)	315 x 360 x 1115 mm
Enclosure rating	IP 54
Temperature range	-15 to +50°C ¹
Weight (without batteries)	44 kg

Features	Access Pro-H Solar
Standard colour	RAL 2000
Barrier arm	MicroBoom
Control system	MGC Pro
Integrated 2-channel detector for induction loops	Standard
Modular expansion of control system	Radio module
Variable I/O assignment	Standard
No. of digital inputs	8
No. of relays/digital outputs	6/4
Input with test for safety light barrier/Laser scanner	Standard
Selectable closing speed	Standard
Selectable opening speed	Standard

Options	Access Pro-H Solar
Special colours	✓
Standard boom skirt ²	✓
Boom skirt with climb-over prevention (height = 1.30 m) ³	✓
Boom skirt with climb-over prevention (height = 1.80 m) ⁴	✓
Pendulum support	✓
Support post	✓
Boom drop contact	✓
Key-operated switch	✓
Radio module	✓
Safety light barrier	✓

¹ Battery capacity is reduced at low temperatures

² max. 5.0 m/5.5 m lane width (PS/SP)

³ max. 4.3 m/4.7 m lane width (PS/SP)

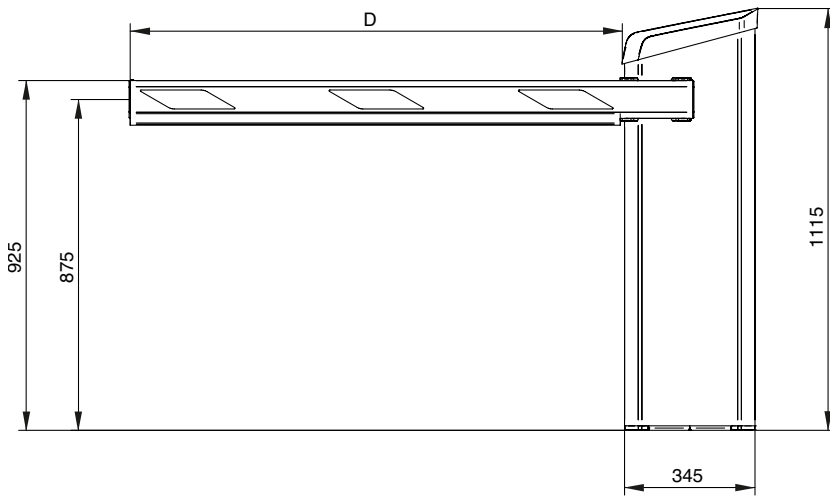
⁴ max. 4.0 m/4.5 m lane width (PS/SP)

PS = Pendulum support, SP = Support post

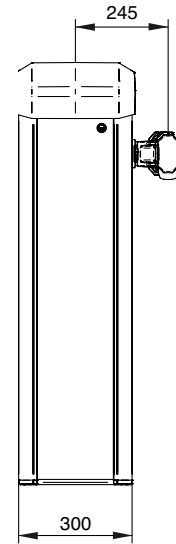
Standard colour

Orange
(RAL 2000)

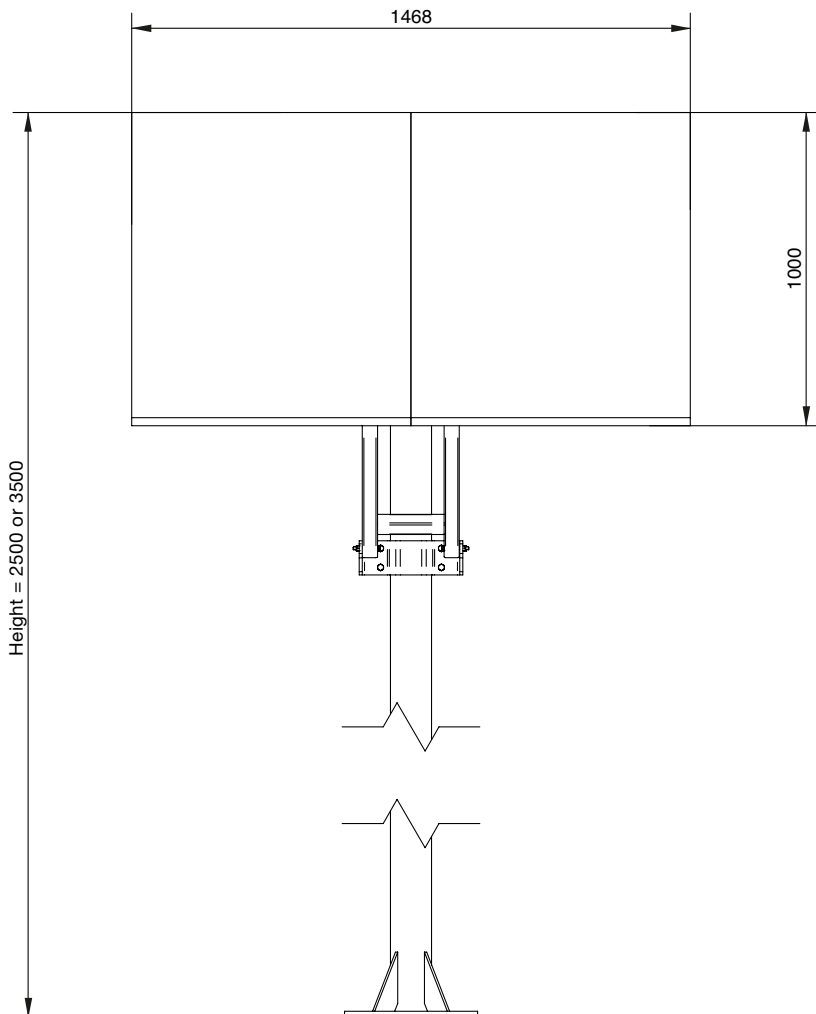
Access Pro-H Solar with MicroBoom, view from right



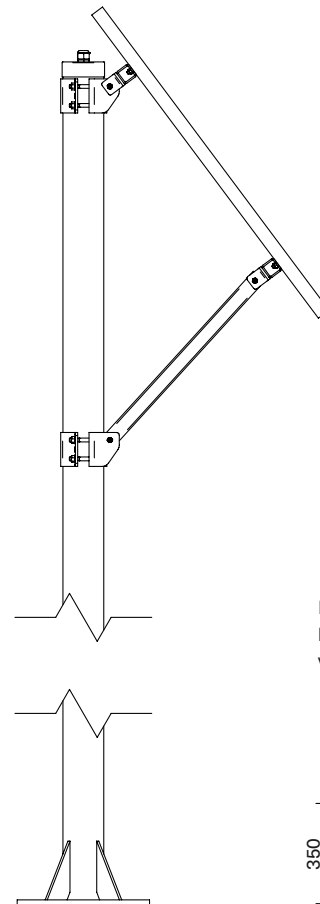
Front view



Mast and solar panel for power supply for Access Solar, front view



Side view



Mounting plate at lower end of the mast, view from above

Access to Progress

Magnetic stands for pioneering products – in every way. Our access control systems for vehicles or pedestrians clear the way for thousands of people every day – at car parks, toll gates, stations, airports and in buildings. Our technology is also pioneering, however: with innovative drives, intelligent control systems and well thought-out details it provides maximum safety and longevity. Are you also on the path to Magnetic?



Vehicle barriers

Access barriers
Parking barriers
Toll barriers
Special barriers



Pedestrian gates

Turnstiles
Swing gates
Tripod gates
Retractable gates
Wing gates



Terminals

Cars
Trucks

Germany
MAGNETIC AUTOCONTROL GMBH
Grienmatt 20
79650 Schopfheim
Phone +49 7622 695-5
Fax +49 7622 695-800
E-mail info@magnetic-germany.com

Australia
MAGNETIC AUTOMATION PTY LTD
38 Metrolink Circuit
Campbellfield, VIC 3061
Phone +61 3 9339 2900
E-mail info@magnetic-oz.com

Austria
FAAC GMBH
Münchner Bundesstraße 123
5020 Salzburg
Phone +43 662 853395-0
E-mail at.info@faacgroup.com

Benelux countries
FAAC BENELUX NV/SA
Industriezone 3B
8490 Jabbeke
Belgium
Phone +32 50 320202
E-mail info@magnetic-benelux.com

Brazil
MAGNETIC AUTOCONTROL LTDA
Av. Salim Antônio Curiati, 136
04690-050 – São Paulo
Phone +55 11 5660 8500
E-mail info@magnetic-br.com

China
MAGNETIC CONTROL SYSTEMS CO., LTD
No. 3 Building, No. 51
Lane 1159, Kang Qiao (East) Road
Kang Qiao Industrial Zone, Shanghai
Phone +86 21 68182970
E-mail info@magnetic-cn.com

France
FAAC FRANCE
377 Rue Ferdinand Perrier
69808 St Priest Cedex
Phone +33 4 72 21 86 89
E-mail info@magnetic-fr.com

India
MAGNETIC FAAC INDIA PVT LTD.
PRS Centre
Plot No. 373 to 376, 2nd Floor (West Wing)
1st Cross Street, Nehru Nagar
Old Mahabalipuram Road
Kottivakkam (Opp Rayala Technopark, Perungudi)
Chennai 600041
Phone +91 44 421 23297
E-mail info@magnetic-india.com

Middle East
FAAC MIDDLE EAST FZE
Dubai Silicon Oasis
PO Box 54886
Dubai
United Arab Emirates
Phone +971 4 3724193
E-mail info@magnetic-uae.com

N. and S. America (excl. Brazil)
FAAC INTERNATIONAL, INC
3160 Murell Road
Rockledge, FL 32955
USA
Phone +1 321 635 8585
E-mail info@magnetic-usa.com

Scandinavia
FAAC NORDIC AB
Box 125
284 22 Perstorp
Sweden
Phone +46 435 77 95 03
E-mail info@magnetic-nordic.com

Southeast Asia
MAGNETIC CONTROL SYSTEMS SDN. BHD
No. 17, Jalan Anggerik Mokara 31/54
Taman Perindustrian Kota Kemuning
40460 Shah Alam
Selangor Darul Ehsan
Malaysia
Phone +60 3 5123 0033
E-mail info@magnetic-malaysia.com